

INSTALLATION INSTRUCTIONS

- Use 3ea. AN31 5-5/16 nuts and 1ea. AN5 bolt of sufficient length for a minimum of 1/2" threads into engine case.
- Use AN 936-516 lock washers under each nut and bolt.
- Torque mounting bolt and nuts to 100 in. lbs.
- For 12v operation use a jumper between the battery and 'S' terminals. For 24v operation remove jumper from the battery and 'S' terminals.
- Torque power terminal nut to 60 in. lbs., 'S' terminal to 10 in. lbs.
- Place MS2571-1S and MS2571-2S (or sim.) terminal nipples over connections.
- Continuing airworthiness: The starter should be overhauled at 2700 hours or when major overhaul is performed on the engine on which it is installed. No other maintenance is required or recommended.
- LTI0-540 On PA-31 Installation requires that the threads in accessory boss 'A' be drilled out with a 5/16 drill and that installation aid spacer Sky-Tec part number 25099 and 2 NAS1149F0463P washers be added between accessory boss 'B' and the belt tensioning idler bracket.
- Note that in some rare cases, one or more of the accessory bosses B, C, or D may interfere with some portion of the aircraft. In these cases it is permissible to trim off the portion of the boss that causes the interference.

PMA MARKINGS

Sky-Tec FAA-PMA

Eligible on: Lycoming 235, 290, 320, 360, 540, 541 & 720 series engines.

Model No. 122-NL
Serial No. CN-999901
Pitch 10/12 Volts 12 or 24

Sky-Tec FAA-PMA

Eligible on: Lycoming 235, 290, 320, 360, 540, 541 & 720 series engines.

Model No. 149-NL
Serial No. FN-999901
Pitch 12/14 Volts 12 or 24

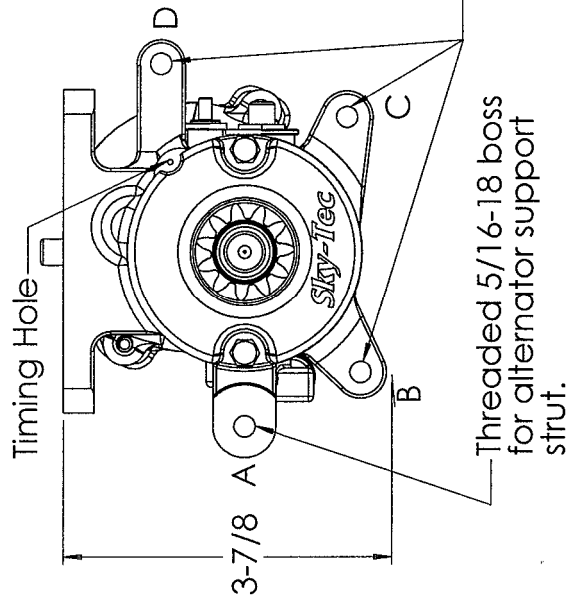
Sky-Tec FAA-PMA

Eligible on: Lycoming LIO320, LO, LIO, LTO, LHI0360 & LTI0540 series engines.

Model No. 149-NLR
Serial No. FNR-999901
Pitch 12/14 Volts 12 or 24

REVISIONS

LTR.	DESCRIPTION	DATE	APRV.
A	ADDED 149-NLR	4/17/03	EC
B	ADDED STEP 5-7 TO INSTRUCTIONS	6/25/03	EC
C	ADD STEP 8 & 9, ACCESSORY BOSS IDENTIFIERS	12/20/05	EC



2-3/8

9-5/16

Accessory attachment points, when used

Threaded 5/16-18 boss for alternator support strut.

'S' Terminal
Power terminal

Sky-Tec Partners, Ltd.
Granbury, Texas

122NL, 149NL, & 149NLR INSTALLATION

DRAWN BY: E. Chiappe DATE: 11/27/02

STANDARD TOLERANCES
ALL DIMENSIONS IN INCHES UNLESS SPECIFIED
DECIMALS .XX +/- .030 .XXX +/- .010 ANGLES +/- 1 DEG.
FRACTIONS +/- 1/16 CONCENTRICITY .005
METRIC TOLERANCES .X +/- .02 .XX +/- .02

MATERIAL: REV. C
25001